

# Reliable®

## Model G4A-300 Quick Response Concealed Automatic 300 psi (20,7 bar) Rated Sprinkler

### The G4A-300 Concealer® A Quick Response Concealed Sprinkler with ½" (13mm) or 1½" (38mm) Adjustment

#### Features

1. Cover plate attachment (Plain or Perforated) with ½" (13mm) total adjustment. Does not require clips or springs.
2. Smooth aesthetic ceiling profile.
3. Factory installed protective cap.
4. Available in brass, chrome or black plated and white painted finishes.
5. Ordinary temperature rating.
6. 300 psi (20,7 bar) maximum pressure rating.

#### Listings & Approvals

1. Listed by Underwriters Laboratories, Inc. and Certified by UL for Canada (cULus) - Quick Response
2. NYC - MEA - 258 - 93 - E

**Note:** Approvals are for light and ordinary hazard. The cup and skirt are fabricated from plated steel and are recommended for interior, non-corrosive applications.

**Note:** Paint or any other coatings applied over the factory finish will void all approvals and warranties.

**US. Patent Number 4,880,063**

#### Application

The Reliable Model G4A-300 Concealer® is a versatile quick response concealed sprinkler. It provides the best form of fire protection while offering an attractive appearance and ½" (13mm) cover plate adjustment for ease of installation. The small diameter cover plate assembly is easily attached and blends into the ceiling, concealing the most dependable fire protection, an automatic sprinkler system.



The Model G4A-300 Concealer® is designed for use where aesthetic appearance is important. It can be used at working pressures up to 300 psi (20,7 bar).

The Model G4A-300 Concealer® is a cULus Listed Quick Response Concealed Sprinkler intended for use in accordance with NFPA 13.

#### Product Description

The Reliable Model G4A-300 Concealer® uses a proven quick response fusible element in a standard style sprinkler frame with a drop-down deflector. This assembly is recessed into the ceiling and concealed by a flat cover plate assembly. This threaded engagement provides ½" (13mm) of cover adjustment. The flat cover plate is attached to the skirt using 135°F (57°C) ordinary temperature classification solder. When the ceiling temperature rises, the solder holding the flat cover plate melts, the flat cover plate released thus exposing the sprinkler inside to the rising ambient temperature.

The subsequent fusing of the solder element in the sprinkler opens the waterway and causes the deflector to drop into position to distribute the discharging water. Any secure engagement between the cover plate and cup will assure that the drop-down deflector is properly located below the ceiling.

## Installation

- Do not install the G4A-300 Concealer® in ceilings which have positive pressure in the space above.
- Cut a 2<sup>5</sup>/<sub>8</sub>" (67mm) diameter hole in the ceiling and install the sprinkler using model G4 Wrench. The wrench has drive tangs which insert into the cup slots. When installing a sprinkler the wrench is first positioned into the sprinkler/cup assembly until the wrench tangs engage the drive slots in the sprinkler. **DO NOT WRENCH ON ANY OTHER PART OF THE SPRINKLER/CUP ASSEMBLY.** Install the cover plate by hand, turning it clockwise until it is tight against the ceiling.

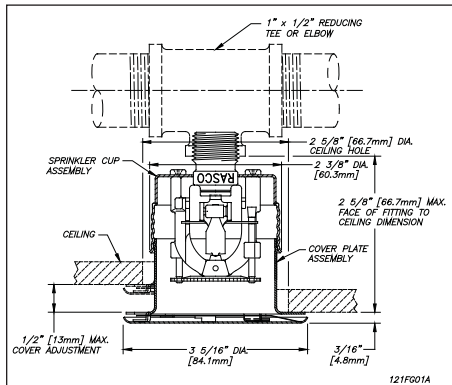
A protective cap is provided to protect the drop-down sprinkler deflector from damage which could occur during construction before the cover plate is installed. The cap is factory installed inside the sprinkler cup. Remove cap to install sprinkler, then reinstall cap until the cover plate is installed.

## Maintenance

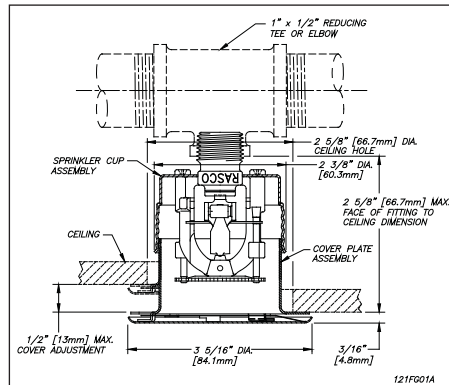
The Model G4A-300 Concealer® should be inspected quarterly and the sprinkler system maintained in accordance with NFPA 25. Do not clean sprinklers with soap and water, ammonia or any other cleaning fluids. Remove dust by using a soft brush or gentle vacuuming. Remove any sprinkler that has been painted (other than factory applied) or damaged in any way. A stock of spare sprinklers should be maintained to allow quick replacement of damaged or operated sprinklers. Prior to installation, sprinklers should be maintained in the original cartons and packaging until used to minimize the potential for damage to sprinklers that would cause improper operation or non-operation.

## Technical Data

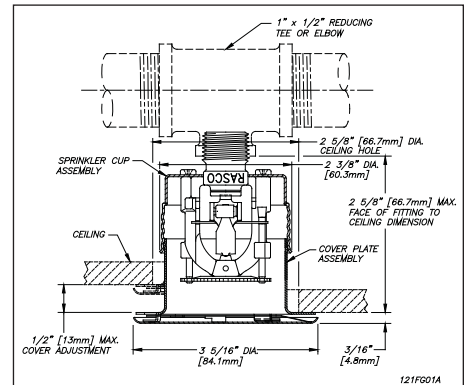
| Sprinkler Inlet | Total Adjustment | Nominal Orifice | Nominal K Factor |        | Thread                | Approvals | Sprinkler Identification Number (SIN) |
|-----------------|------------------|-----------------|------------------|--------|-----------------------|-----------|---------------------------------------|
|                 |                  |                 | US               | Metric |                       |           |                                       |
| Non Adjustable  | 1/2" (13mm)      | 1/2" (15mm)     | 5.6              | 80     | 1/2" NPT (R1/2)       | 1, 2      | R6215                                 |
| Adjustable      | 1 1/2" (38mm)    | 1/2" (15mm)     | 5.6              | 80     | 1" NPT Male or Female | 1, 2      | R6218                                 |



1/2" NPT (R1/2) Non-Adjustable Inlet  
Figure. 1



1" NPT Female-Adjustable Inlet  
Figure. 2



1" NPT Male-Adjustable Inlet  
Figure. 3

The equipment presented in this bulletin is to be installed in accordance with the latest published Standards of the National Fire Protection Association, Factory Mutual Research Corporation, or other similar organizations and also with the provisions of governmental codes or ordinances whenever applicable.

Products manufactured and distributed by Reliable have been protecting life and property for over 90 years, and are installed and serviced by the most highly qualified and reputable sprinkler contractors located throughout the United States, Canada and foreign countries.

Manufactured by



The Reliable Automatic Sprinkler Co., Inc.  
 (800) 431-1588  
 (800) 848-6051  
 (914) 829-2042  
 www.reliablesprinkler.com

Sales Offices  
 Sales Fax  
 Corporate Offices  
 Internet Address



Recycled Paper

Revision lines indicate updated or new data.

EG. Printed in U.S.A. 05/12 P/N 9999970166

## Ordering Information

Specify:

- Sprinkler Model
- Nominal Orifice
- Flat Cover Plate Assembly Finish
- Inlet Type

## UL Listing Category

Sprinklers, Automatic and Open Quick Response Sprinkler

## UL Guide Number

VNIV

## Cover Plate Finishes<sup>(1)</sup>

### Standard Finishes

Chrome  
White Paint

### Special Application Finishes<sup>(2)</sup>

Bright Brass  
Finished Bronze  
Black Plating  
Black Paint  
Off White  
Satin Chrome

<sup>(1)</sup> Other finishes and colors are available on special order.



Model G4 Sprinkler Wrench

Consult factory for details. Coverplate custom paint is semi-gloss, unless specified otherwise.

<sup>(2)</sup> For the perforated style coverplate, consult factory for availability on these and other custom finishes.

## Standard Temperature Ratings

| Classification | Sprinkler  | Cover Plate | Max. Ambient Temp. |
|----------------|------------|-------------|--------------------|
| Ordinary       | 165°F/74°C | 135°F/57°C  | 100°F/38°C         |